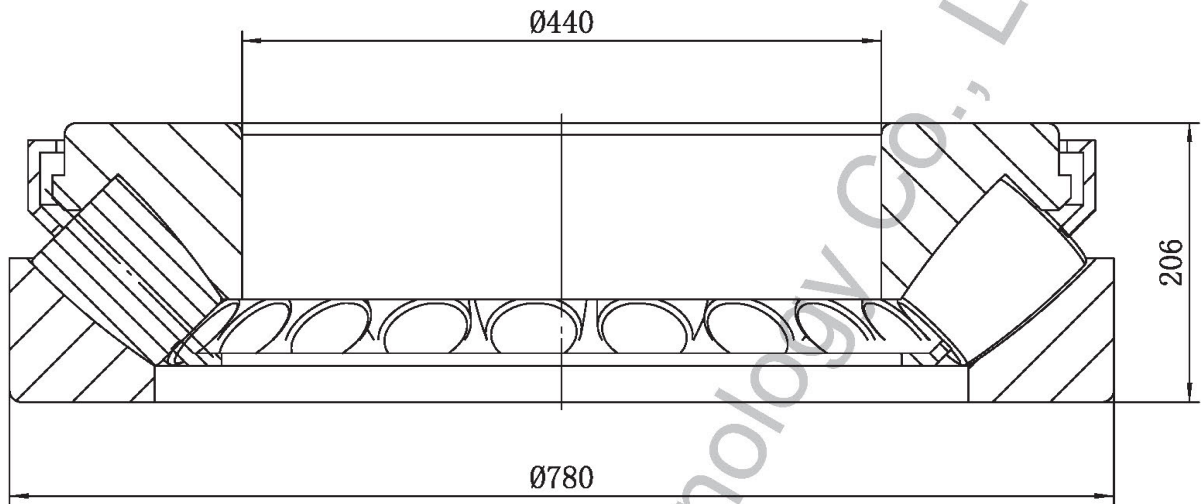


29488E



1 rated load: $C_r = 6950 \text{ KN}$; $C_{or} = 30000 \text{ KN}$;

2 Heat treatment according to the current standards

Remark:

1. Luoyang JCB Bearing Technology Co., Ltd is a technical Inc, specialize in designing and manufacturing thrust bearing, we can design and manufacture all kinds of thrust bearing according to client's requirement.
2. This drawing is reference for user, if you need formal drawing, please contact with us sales@jcb-bearing.com, the official drawing will be submitted after order confirmation.



07	cage		STEEL		
04	roller		steel GCr15-GB/T18254		
02	shaft washer		steel GCr15SiMn-GB/T18254		
01	house washer		steel GCr15SiMn-GB/T18254		Weight (kg)
serial	Name	Qty	Material	421	
				29488E	
				Add: No.3 Lianmeng road, Luoyang, Henan, China. Postal: 471003 Website: www.jcb-bearing.com	
				Phone: +86-379-68611678 www.sphericalrollerthrustbearing.com	
				Fax: +86-379-68611679 .com	
				E-mail: sales@jcb-bearing.com	
				Luoyang JCB Bearing Technology Co., Ltd	

Thrust spherical roller bearing

Add: No.3 Lianmeng road, Luoyang, Henan, China.
Postal: 471003 Website: www.jcb-bearing.com
Phone: +86-379-68611678 www.sphericalrollerthrustbearing.com
Fax: +86-379-68611679 [.com](mailto:sales@jcb-bearing.com)
E-mail: sales@jcb-bearing.com

Luoyang JCB Bearing Technology Co., Ltd